

# INSAID04NCF

## 4.1MP WDR Dome ChromaView AI+ Network Camera

- 1/1.8" 4 Megapixel progressive scan CMOS
- 25/30 fps at 2688 × 1520; 50/60 fps at 1080P
- H.265 codec, high compression rate, ultra-low bit rate
- WDR (140 dB), Day/Night (Electronic), 3D DNR, AWB, AGC
- AI+ on the Edge: Human Detection, Area Protector and more



**AI+**  
**ChromaView**

### Unify your Security Solution

This new function was made to improve drastically your surveillance system efficiency and reduce your false alarms count. Area Protector allows you to custom your tripwires based on a specific object such as pedestrians or vehicles. Combined with real-time alerts on your monitoring device, this function will be key for any zone surveillance.

### ChromaView Technology

This technology helps you capture clear color images in practically any low light environment. Using a F1.0 aperture lens paired with our 1/1.8" high-performance sensor, ChromaView technology provides a great balance between noise reduction and blurry moving objects.

### On-board Analytics

This camera responds accurately to specific events in a given area. Our algorithm enables Tripwire violations, intrusion detection, abandoned/missing objects and much more. Facilitate your viewing experience using on the edge analytics – one product, multiple features.



\*Design and specifications are subjects to change without notice.



# INSAIDO4NCF

## 4.1MP WDR Dome ChromaView AI+ Network Camera

## Product Specifications

Camera					
Image Sensor	1/1.8" 4Megapixel progressive CMOS				
Effective Pixels	2688 (H) × 1520 (V)				
RAM/ROM	512MB/128MB				
Scanning System	Progressive				
Electronic Shutter Speed	Auto/Manual 1/3 s–1/100,000 s				
Minimum Illumination	0.0005 Lux at F1.0				
S/N Ratio	More than 56 dB				
Illumination Distance	30 m (98.4 ft)				
Illumination LEDs	2 warm lights				
Camera Features					
Day/Night	Color / B/W				
Backlight Compensation	BLC / HLC / WDR 140dB				
White Balance	Auto / natural / street lamp / outdoor / manual / regional custom				
Gain Control	Auto; Manual				
Noise Reduction	3D DNR				
Motion Detection	OFF/ON (4 areas, rectangular)				
Region of Interest	Yes (4 areas)				
Image Rotation	0°/90°/180°/270°				
Defog / Mirror	Yes				
Privacy Masking	8 Areas				
Lens					
Lens Type	Fixed-focal				
Mount Type	M16				
Focal Length	2.8 mm				
Max. Aperture	F1.0				
Viewing Angle	Horizontal: 107° Vertical: 60° Diagonal: 135°				
Pan/Tilt/Rotation	Pan: 0°–355°; Tilt: 0°–80°; D: 0°–355°				
DORI Distance	Lens	Detect	Observe	Recognize	Identify
	2.8 mm	58.2 m (190.9 ft)	23.3 m (76.4 ft)	11.6 m (38.1 ft)	5.8 m (19.0 ft)
Video					
Compression	H.265; H.264; H.264H; H.264B; MJPEG (Only supported by the sub stream)				
Smart Codec	Smart H.265+; Smart H.264+				
Resolution	4M (2688 × 1520); 3M (2304 × 1296); 1080p (1920 × 1080); 1.3M (1280 × 960); 720p (1280 × 720); D1 (704 × 576/704 × 480); VGA (640 × 480); CIF (352 × 288/352 × 240)				
Frame Rate	Main Stream: 2688 × 1520 at 1 to 50/60 fps				
	Sub stream: D1 at 1 to 25/30 fps			Third stream: 1920 × 1080 at 1 to 25/30 fps	
Bit Rate	H.264: 3 Kbps–20480 Kbps H.265: 3 Kbps–20480 Kbps				

\*Design and specifications are subjects to change without notice.



# INSAIDO4NCF

## 4.1MP WDR Dome ChromaView AI+ Network Camera

## Product Specifications

Alarm	
Alarm Event	No SD card; SD card full; SD card error; network disconnection; IP conflict; illegal access; motion detection; video tampering; scene changing; intrusion; tripwire; abandoned object; missing object; fast moving; parking detection; loitering detection; people gathering; input abnormal detection; intensity change detection; people counting; face detection; people counting in area; stay alarm; people No. exception detection; queue management
Alarm In/Out	1/1
Audio	
Audio Compression	PCM; G.711A; G.711Mu; G.726; G.723
Audio In/Out	1/1, RCA port
Built-in Microphone	Yes
Network	
Ethernet	RJ-45 (10/100 Base-T)
SDK & API	Yes
Cyber Security	Video encryption; configuration encryption; Digest; WSSE; account lock-out; security logs; generation and importing of X.509 certification; HTTPS; trusted boot; trusted execution; trusted upgrade
Storage	FTP; SFTP; Micro SD card (Support max. 256 G); NAS
Management Software	STORM, STORM+, ARKIV
Protocol	IPv4; IPv6; HTTP; TCP; UDP; ARP; RTP; RTSP; RTCP; RTMP; SMTP; FTP; SFTP; DHCP; DNS; DDNS; QoS; UPnP; NTP; Multicast; ICMP; IGMP; NFS; SAMBA; PPPoE; SNMP; P2P
Compatibility	ONVIF (Profile S/Profile G/Profile T); CGI;
Browser	IE; Chrome; Firefox
Maximum User Access	20
Smart Phone	iOS, Android
Certifications	
Certifications	CE-LVD: EN62368-1; CE-EMC: Electromagnetic Compatibility Directive; 2014/30/EU; FCC: 47 CFR FCC Part 15, Subpart B; UL/CUL: UL60950-1 CAN/ CSA C22.2 No.60950-1-07
General	
Power Supply	12 VDC/PoE (802.3af)/ePoE
Power Consumption	Basic: 2.6 W (12 VDC); 3.2 W (PoE) Max. (H.265 + 3 streams + intelligence + LED): 7 W (12 VDC); 7.8 W (PoE)
Working Environment	-40°C to +60°C (-40°F to +140°F); Less than 95% RH
Material	Metal
Protection	IP67, IK10
Dimensions	94 mm × Φ122 mm (3.7" × Φ4.8")
Weight	2.2 lbs (986 g)

\*Design and specifications are subjects to change without notice.



# INSAIDO4NCF

## 4.1MP WDR Dome ChromaView AI+ Network Camera

## Product Specifications

AI+ Analytics	
Area Protector	<ul style="list-style-type: none"><li>• Intrusion detection, tripwire, and fast-moving object detection (these three functions facilitate accurate identification of vehicles and humans)</li><li>• Detection of loitering, people gathering, and parked vehicles</li></ul>
People Counting	<ul style="list-style-type: none"><li>• Tripwire for people counting and counting people in designated areas</li><li>• Report generation and export for daily, monthly, and yearly data</li><li>• Queue management with report export for daily and monthly data</li><li>• Configuration of up to 4 rules for tripwire, people counting in areas, and queue management</li></ul>
Intelligent Search	<ul style="list-style-type: none"><li>• Collaborates with STORM Smart NVR for enhanced intelligent search</li><li>• Extracts and merges events into corresponding video footage</li></ul>
Face Detection	<p><b>1. Face Detection and Tracking:</b> Detecting faces; Tracking detected faces</p> <p><b>2. Face Snapshot Capture and Optimization:</b> Capturing face snapshots; Optimizing captured face snapshots; Uploading optimized face snapshots</p> <p><b>3. Face Enhancement and Attributes Extraction:</b> Enhancing face details; Adjusting face exposure; Extracting 6 face attributes: gender, age, glasses, expressions, mask presence, beard presence; Recognizing 8 expressions: angry, sad, disgusted, scared, surprised, calm, happy, confused</p> <p><b>4. Snapshot Configuration and Strategies:</b> Setting face snapshots as standard face photos or one-inch photos; Applying snapshot strategies: real-time capture, quality prioritization, optimized snapshot; Applying face angle filter; Setting optimization time intervals</p>
Intelligent Functions	
Smart Functions	Object Abandoned/Missing
Heat Map	Yes

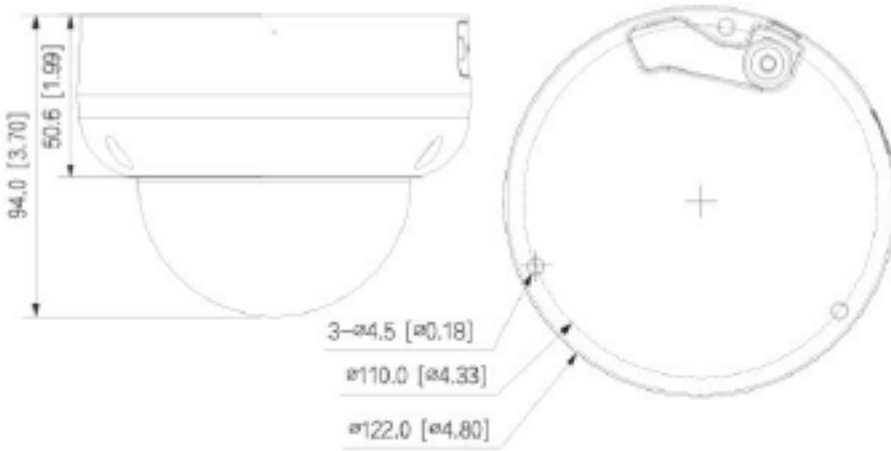
\*Design and specifications are subjects to change without notice.



# INSAIDO4NCF

4.1MP WDR Dome ChromaView  
AI+ Network Camera

## Product Specifications



Junction Mount	Inceiling Mount	Ceiling Mount
INSX137	INSX200C	INSX109 + INSX220C
Wall Mount	Pole Mount	
INSX203	INSX203 + INSX152	
Wall Mount with Rain Shade	Junction Mount	
INSX200W	INSX123	



**INSX200C**  
Ceiling Mount



**INSX137**  
Junction Box



**INSX200W**  
Rain Cover



**INSX203**  
Wall Mount



**INSX152**  
Pole Mount



**INSX109**  
Mount Adapter



**INSX220C**  
Ceiling Mount



**VUSD256G**  
Micro SD Card

\*Design and specifications are subjects to change without notice.

